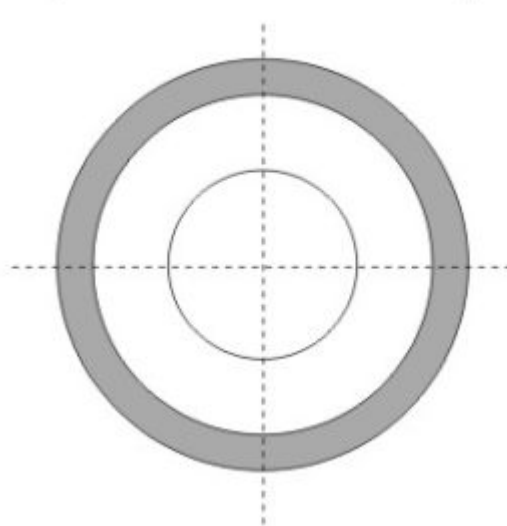


A



B

CUSTOMER NAME:.....
 CONTACT.....PHONE:.....
 ADDRESS.....

 ESP(MAKE):.....ESP(TYPE):.....
 QUANTITY REQUIRED.....

DIMENSION							
A	B	C	D	E	F	G	H



AIR SYSTEMS PVT. LTD

139-A, Velachery Road, Chennai - 600 015, India.
 Phone: +91 44 24660888 Fax: +91 44 24985988
 Email: rka@asplparts.com Web: www.asplparts.com

A- SUPPORT INSULATOR

B- SUPPORT INSULATOR